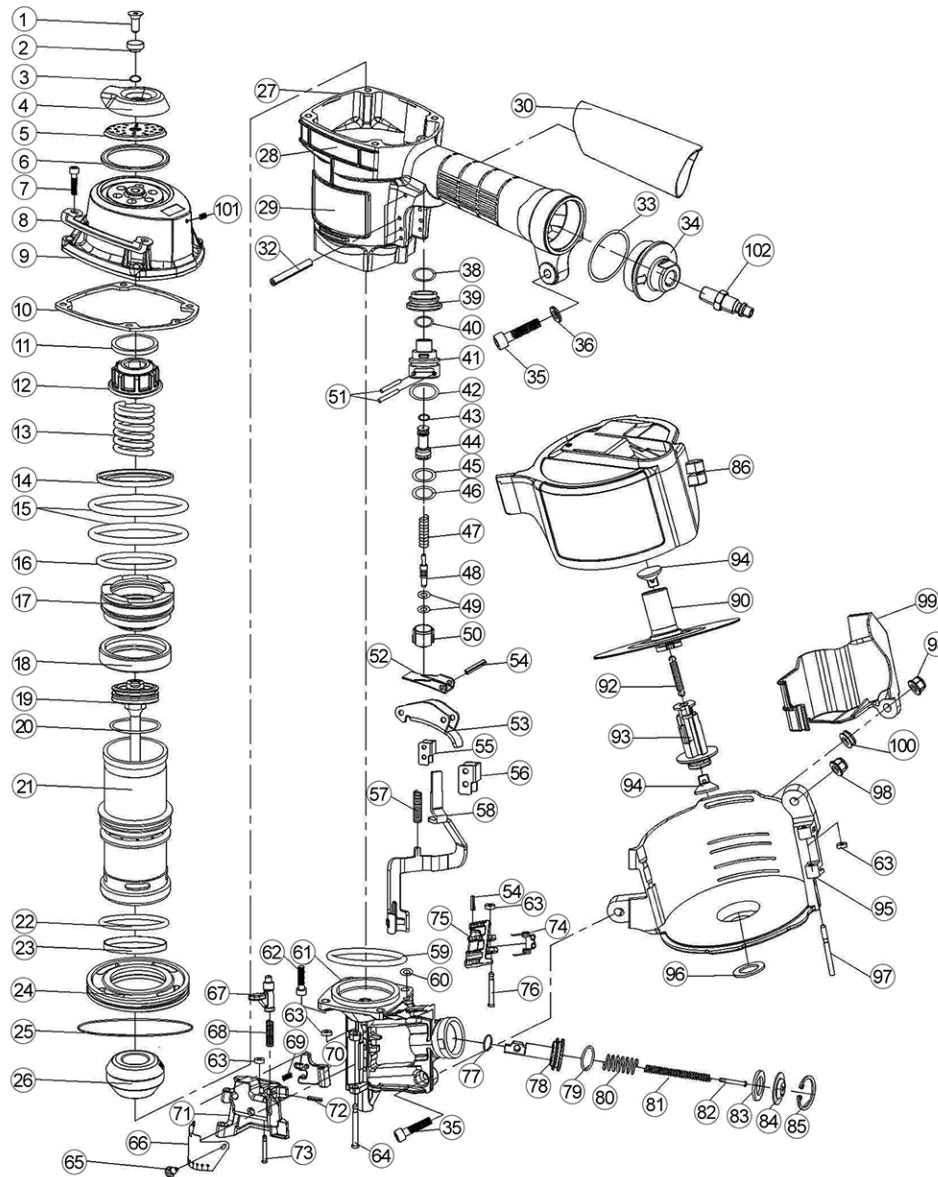


# Air Locker

Model # CN55A2



No.	Description	No.	Qty.	Description	Qty.	No.	Description	Qty.	No.	Description	Qty.
01	Hex Bolt M8*20	1	25	O-Ring 74.4*3.1	1	51	Pin 2*15	1	75	Send Nail Claw	1
02	Cylinder Pin	1	26	Bumper	1	52	Hook Stop Lever	2	76	Send Nail Claw Pin	1
03	O-Ring 10*2	1	27	Gun Body	1	53	Trigger	1	77	O-Ring 9.9*2.4	1
04	Exhaust Deflector	1	28	Model Label	1	54	Pin 3*15	1	78	Send Nail Piston	1
05	Exhaust Seal	1	29	Warning Label	1	55	Iron Skateboard Frame	2	79	O-Ring 20.4*2.4	1
06	Cylinder Cover Bumper	1	30	Rubber Grip	1	56	Plastic Skateboard Frame	1	80	Spring	1
07	Hex Bolt M6*25	4	32	Spring Pin 3*28	4	57	Spring	1	81	Spring	1
08	Gun Body Frame	2	33	O-Ring 34.5*2.65	1	58	Safety	1	82	Pin	1
09	Cylinder Cover	1	34	Air Inlet End Cap	1	59	O-Ring 46*2	1	83	Buffer Channel	1
10	Cylinder Cover Sealing Gasket	1	35	Hex Bolt M6*38	2	60	O-Ring 4*1.5	1	84	Spring Holder	1
11	Spring Washer	1	36	Plain Washer	1	61	Nose	1	85	Ring	1
12	Spring Holder	1	38	O-ring 15.8*1.8	1	62	Hex Bolt M6*25	1	86	Nail House Cover	1
13	Spring	1	39	Valve Frame	1	63	Bushing	4	90	Nail Tray Assembly	1
14	Lining Ring	1	40	O-Ring 11.3*1.85	1	64	Cover Plate Pin	4	92	Spring	1
15	O-Ring 51*2.65	2	41	Trigger Valve Bushing	1	65	Fixed Rubber Plug	1	93	Adjust Holder	1
16	O-Ring 42.5*2.5	1	42	O-Ring 19*2.5	1	66	Gun Head Protective Film	1	94	Spring Holder	2
17	On-Off Valve	1	43	O-Ring 6*1.9	1	67	Trigger Piece	1	95	Nail House	1
18	Cylinder Sealing Gasket	1	44	Valve Sleeve	1	68	Spring	1	96	Adjust Holder Seal	1
19	Piston-Driver	1	45	O-Ring 6.4*2	1	69	Spring	1	97	Nail House Pin	1
20	O-Ring 37.5*3.55	1	46	O-Ring 8.9*1.9	1	70	Check Nail Claw	1	98	Hex Bolt V6	2
21	Cylinder	1	47	Trigger Valve Stem Spring	1	71	Cover Plate	1	99	Nose Cap	1
22	O-Ring 48.7*2.65	1	48	Trigger Valve Stem	1	72	Pin 3*12	1	100	Seal Cap	1
23	Check Valve	1	49	O-Ring 2.5*1.5	1	73	Check Nail Pin	1	101	Hex Bolt	1
24	Shaft Washer	1	50	Trigger Sleeve	2	74	Send Nail Claw Spring	1	102	Air Inlet Plug	1
									103	Spring Washer	4